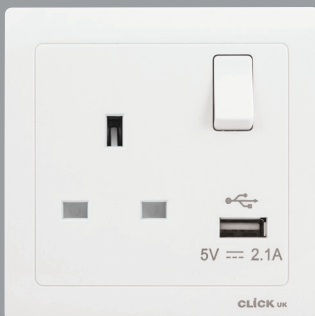




## ***UK Switched Socket Outlets With USB***



### **Range of Simply Stylish Wiring Accessories**

Designed to provide a competitive, cost effective equivalent range of white moulded accessories with a sleek, slim design creating a modern aesthetic.

Manufactured from Polycarbonate with reinforced interior plates to ensure every product is robust, strong, durable and UV stabilised so that signs of ageing is not a problem.

**UK Switched Socket Outlets With USB**

**Product Range**

**UK Switched Socket Outlets With USB**

**CPC771** 13A 1 Gang Switched Socket Outlet With USB

**CPC770** 13A 2 Gang Switched Socket Outlet With USB



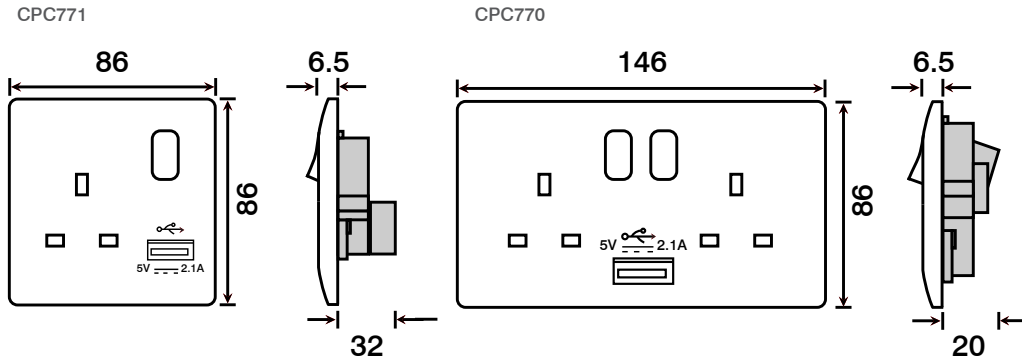
CPC771



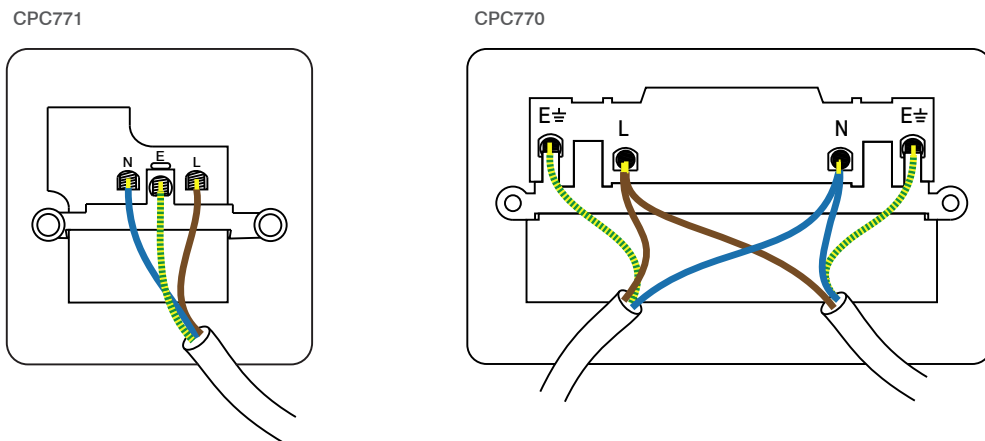
CPC770

**UK Switched Socket Outlets With USB**

**Product Dimensional Drawings (mm)**



**Product Wiring Diagram**



## UK Switched Socket Outlets With USB

### Technical Specification

#### UK Switched Socket Outlets With USB

<b>Material Composition</b>	Front Plate & Switch: Polycarbonate
	Insert & Base: Polycarbonate
	Terminals: Brass Plated Steel
	Terminal Screws: Steel & Yellow Passivated
	Internal Mechanism: Formed Press Brass
	Silver "On-lay" Copper / Brass Contacts
<b>Voltage</b>	250V~ 50Hz
<b>Current Rating</b>	13A
<b>Terminal Screw Size</b>	4mm ø
<b>Torque Value</b>	1.2Nm
<b>Cable Size</b>	4 x 2.5mm <sup>2</sup> , 2 x 4.0mm <sup>2</sup>
<b>Fixing Centres</b>	1 Gang: 60.3mm, 2 Gang: 120.6mm
<b>Back Box Depth</b>	35mm
<b>Switched</b>	Yes (single pole)
<b>Twin Earth</b>	Yes
<b>USB Charging Outlet</b>	5V DC 2.1A
<b>USB Output Connector</b>	USB Type 'A'
<b>USB Standby Current</b>	2mA
<b>Warranty</b>	10 Years
<b>Operational Temperature</b>	-5° to +40°C
<b>Standards</b>	BS 1363-2: 2016
	BS EN 62368-1: 2014
	BS EN 62680-1-1

### Additional Information

Ensure that the mains supply is isolated before commencing installation and refer to the circuit diagram with the relevant product.

Bare earth cables must always be covered with appropriate sleeving and wired to the earth terminal.



## EU DECLARATION OF CONFORMITY

1. *Issuer Name* Scolmore International Limited
2. *Issuer Address* 1 Scolmore Park, Landsberg,  
Lichfield Road Industrial Estate,  
Tamworth, Staffordshire, B79 7XB
3. *Object(s) of Declaration* Seera Range
  - a. *Group* UK Switched Socket Outlets With USB
  - b. *Model No.* CPC770 & CPC771
4. *The object of the declaration described above is in conformity with the requirements of the following Legislations:*
5. *All products contained within the aforementioned comply with the relevant standards and requirements listed below.*

BS 1363-2: 2016

BS EN 62368-1: 2014

BS EN 62680-1-1

6. *I hereby declare that the equipment named above has been designed to comply with the relevant sections of the above referenced specifications. The unit complies with all applicable Essential Requirements of the Directives.*

*In conjunction with the above all manufacture and process controls are in accordance with ISO 9001:2015.*

*This declaration has been issued under the sole responsibility of the manufacturer, signed at, for and on behalf of: Scolmore International Limited*

A handwritten signature in black ink, appearing to read "Karl Rawlins".

Karl Rawlins – Senior Technical Support Engineer